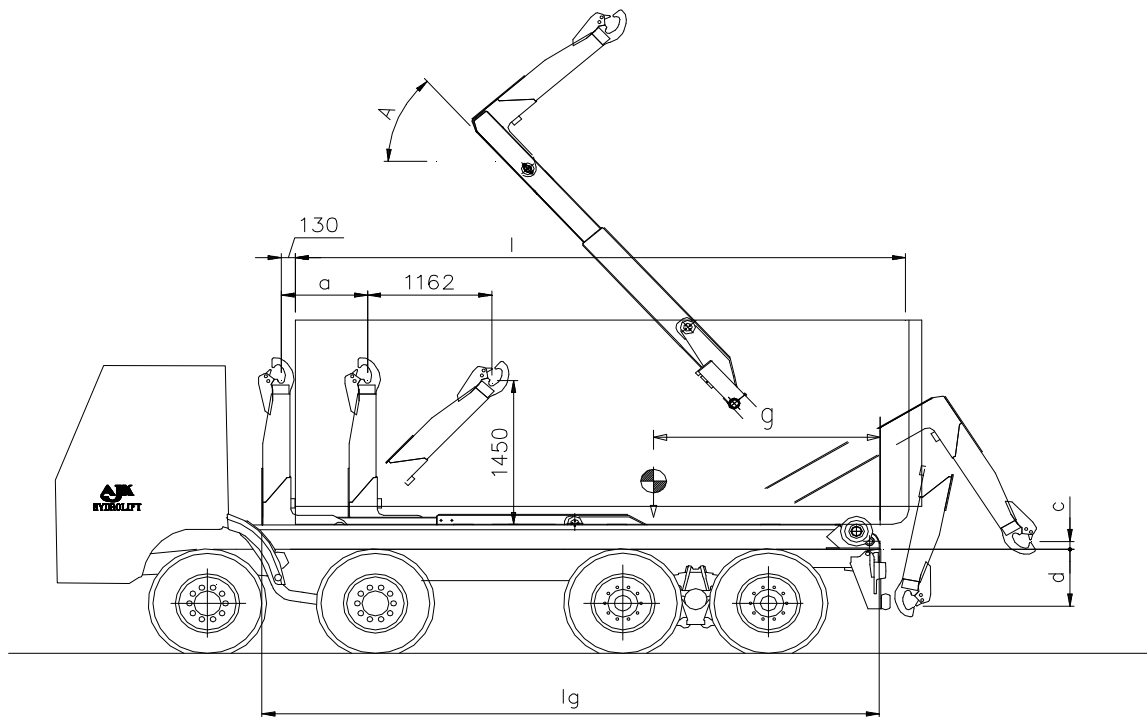




HSK25N_{sn}



Length	Stroke	Angle	Height	Depth	Bin Length	Point of gravity	Weight
lg	a	A	c	d	l	g	kg

5620	800	49	280	-263/402	3400-5700-(6200)*	3105	2900
5800	800	51	280	-75/533	3500-5800-(6300)*	3220	2975
6055	900	53	280	-110/470	3600-6050-(6550)*	3395	3075
6180	1025	53	280	-110/470	3800-6250-(6750)*	3415	3100
6430	1025	50	280	-110/470	4000-6500-(7000)*	3600	3150

Total exterior bin length is $l+250$ mm ($130+120$), the total rear over to end hookarm become 1055 mm
 Front side hook arm to center hook is 232 mm
 Distance rear side until tipping shaft is 100 mm, tipping shaft until roller center is 120 mm
 Vehicle chassis height is about 1100mm.

The constructor has the right to make modifications without prior notice

13/05/2013



Industriegebied Kanaal Noord 1 173, B-3960 Bree Tel : +32-89-46 93 90

e-mail : info@ajkhydrolift.eu