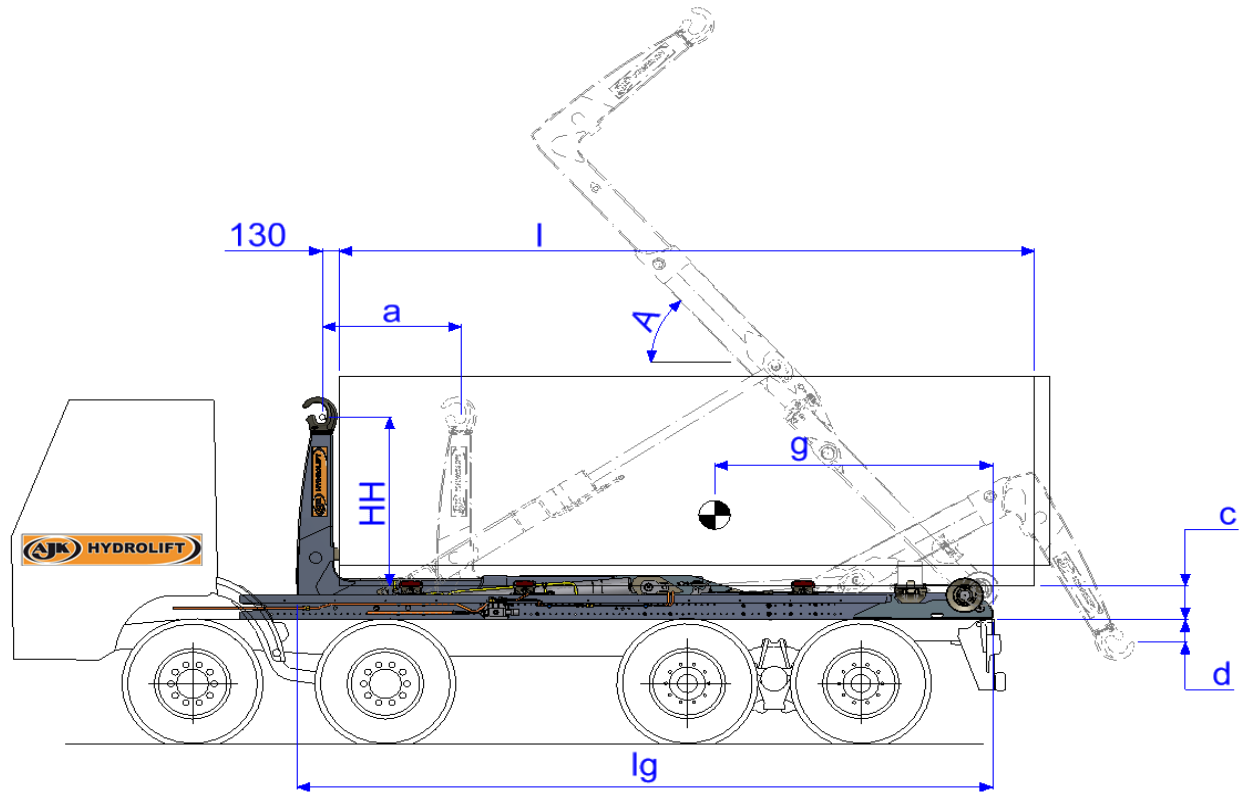


HL25_{sn}



Length	Stroke	Angle	Height	Depth	Bin Length	Point of gravity	Weight
lg	a	A	c	d	l	g	kg

4930	1025	52	290	-63	3600-5450	2725	2675
5250	1100	52	290	-70	3900-5800	2900	2770
5500	1100	49	290	-70	4100-6000	3070	2790
5760	1300	54	290	25	4200-6300	3185	2920
5930	1300	51	290	25	4300-6500	3300	2930
6180	1400	53	290	35	4500-6700	3440	3030
6430	1400	50	290	35	4700-7000	3600	3040

Total exterior bin length is $l+250$ mm ($130+120$), the total rear over to end hookarm become 1000 mm
 Front side hook arm to center hook is 200 mm
 Distance rear side until tipping shaft is 100 mm, tipping shaft until roller center is 120 mm
 Vehicle chassis height is about 1100mm.

The constructor has the right to make modifications without prior notice

29/01/2015