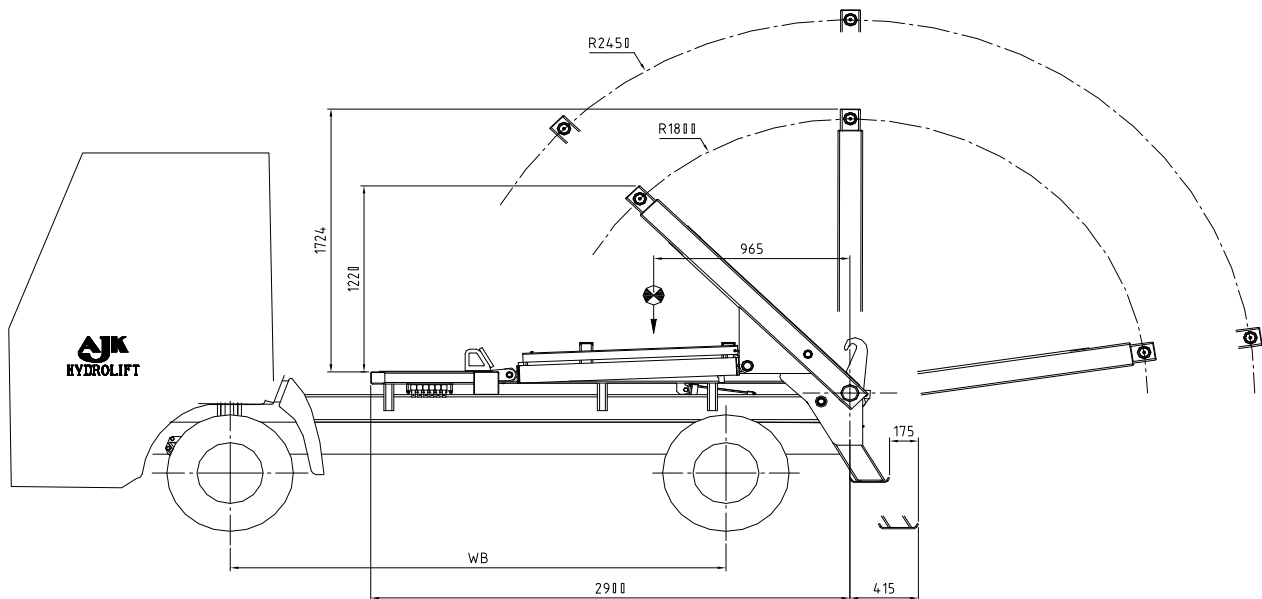




# HP-6



## HP-6 T

Weight skiploader	+/-1300 kg	
Length skiploader	2900 mm	
Inside width	1740 mm	
External width	2300 mm	
Width between arms	1970 mm	
Width between chains(c-c)	1890 mm	
Point of gravity	840 mm	
Height	75 mm inwendig; 150 mm uitwendig	
Capacity : standard chains	Radius	Radius
Chassisheight 800 mm	1800 mm	2450 mm
from floor (15°)	6000 kg	4000 kg
- 260 mm(0°)	4900kg	3600 kg
For wheelbase	+/- 3000 mm	

More weight subframe 120 kg, more weight closed floor 110 kg, weight tipping hooks 100 kg  
 Working pressure 220 bar, chains with length 850 mm

The constructor has the right to make modifications without prior notice

13/06/2013



Industriegebied Kanaal Noord 1 173, B-3960 Bree Tel : +32-89-46 93 90

e-mail : info@ajkhydrolift.eu