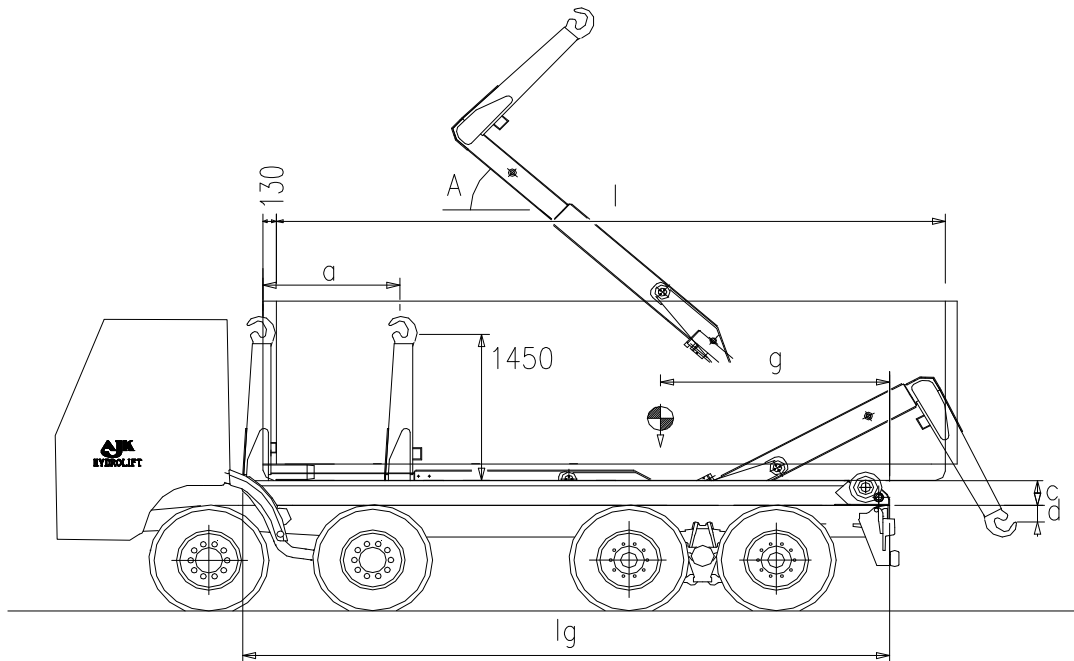




HS25N_{sn}



Length	Stroke	Angle	Height	Depth	Bin Length	Point of gravity	Weight
lg	a	A	c	d	l	g	kg

4680	900	51	280	-30	3250-4750-(5250)*	2425	2600
4930	1025	51	280	30	3500-5000-(5500)*	2555	2630
5250	1100	52	280	30	3750-5250-(5750)*	2720	2690
5500	1100	49	280	30	4000-5500-(6000)*	2915	2725
5760	1300	54	280	62	4250-5750-(6250)*	3025	2840
5930	1300	51	280	62	4500-6000-(6500)*	3135	2865
6180	1400	54	280	72	4750-6250-(6750)*	3265	2950
6430	1400	50	280	72	5000-6500-(7000)*	3430	2970

Total exterior bin length is $l+250$ mm ($130+120$), the total rear over to end hookarm become 1010 mm
 Front side hook arm to center hook is 190 mm
 Distance rear side until tipping shaft is 100 mm, tipping shaft until roller center is 120 mm
 Vehicle chassis height is about 1100mm.

The constructor has the right to make modifications without prior notice

13/05/2013



Industriegebied Kanaal Noord 1 173, B-3960 Bree Tel : +32-89-46 93 90

e-mail : info@ajkhydrolift.eu