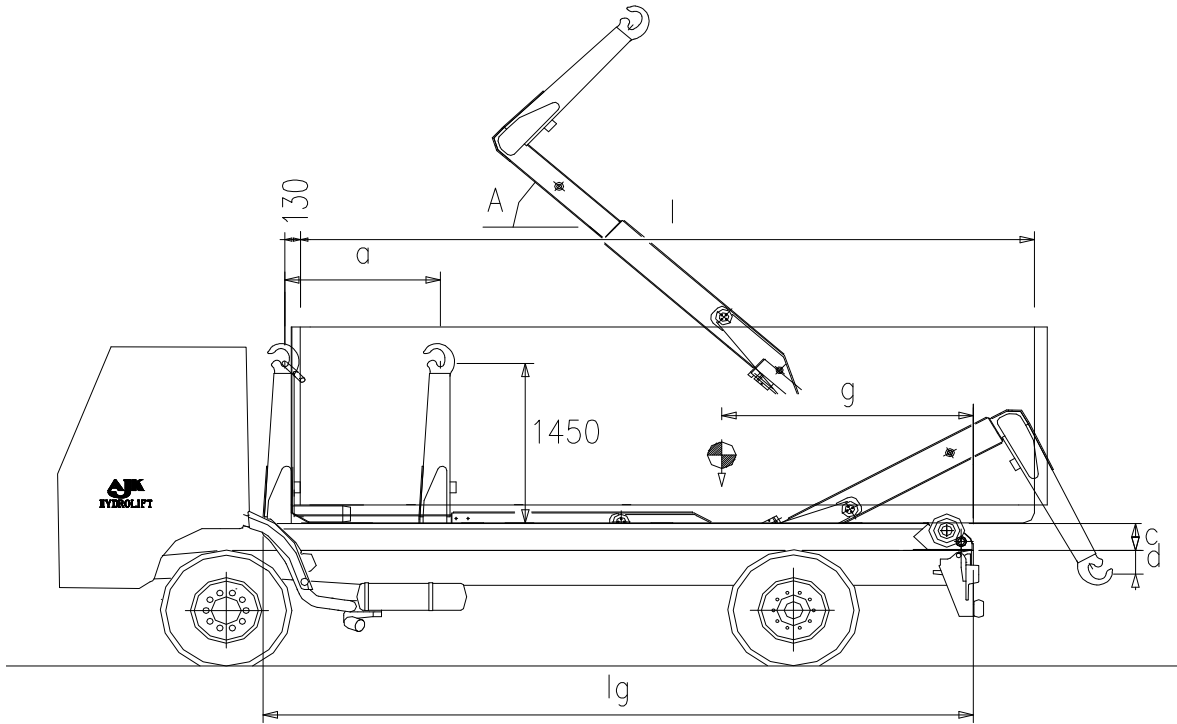




NHS8/10_{sn}



Length	Stroke	Angle	Height	Depth	Bin Length	Point of gravity	Weight
lg	a	A	c	d	l	g	kg

4000	850	51	200	223	3000-4000-(4500)*	2150	1100
4400	850	51	200	188	3500-4500-(5000)*	2400	1275
4600	850	51	200	75	3700-4700-(5200)*	2430	1300

Total exterior bin length is $l+250$ mm ($130+120$), the total rear over to end hookarm become 990 mm

Front side hook arm to center hook is 75 mm

Distance rear side until tipping shaft is 100 mm, tipping shaft until roller center is 120 mm

Vehicle chassis height is about 1100mm.

The constructor has the right to make modifications without prior notice

13/05/2013



Industriegebied Kanaal Noord 1 173, B-3960 Bree Tel : +32-89-46 93 90

e-mail : info@ajkhydrolift.eu

NHS8_10-ES-V01.xls