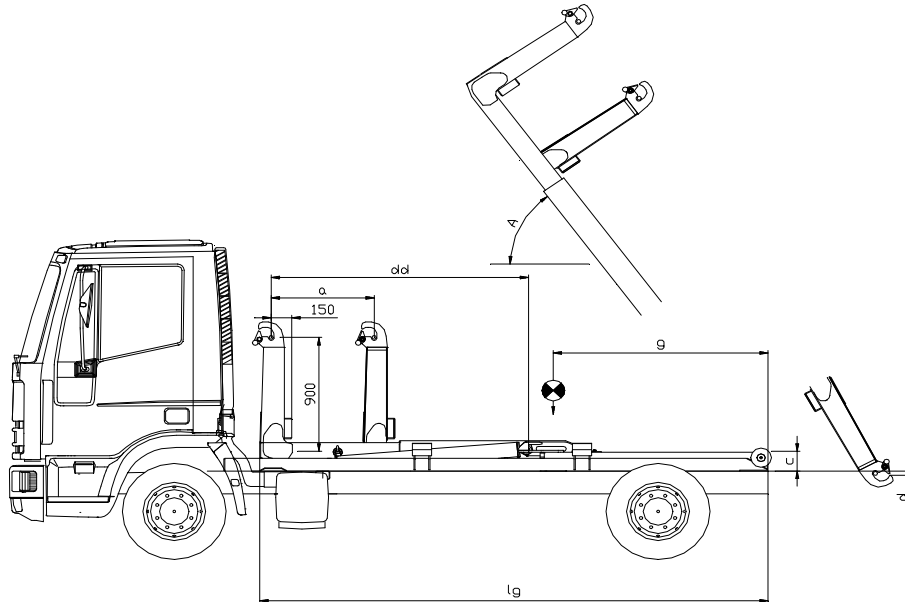




HL3



Length	Stroke	Angle	Height	Depth	Locking	Bin Length	Point of gravity	Weight
lg	a	A	c	d	l	l	g	kg
2900	350	53	155	47	1385	3000	1585	575
rear over 330 mm without door								
3150	600	53	155	47	1385	3000	1700	575
rear over 80 mm without door								
					1635	3500		
rear over 580 mm without door								
3400	600	46	155	47	1635	3000-3500	1900	600
rear over 330 mm without door for 3,5 m bins								

Total exterior bin length is $l+250$ mm ($150+100$), the total rear over to end hookarm become 895 mm
 Front side hook arm to center hook is 45 mm
 Distance rear side until tipping shaft is 100 mm, tipping shaft until roller center is 0 mm
 Vehicle chassis height is about 800mm.

The constructor has the right to make modifications without prior notice

13/05/2013



Industriegebied Kanaal Noord 1 173, B-3960 Bree Tel : +32-89-46 93 90

e-mail : info@ajkhydrolift.eu