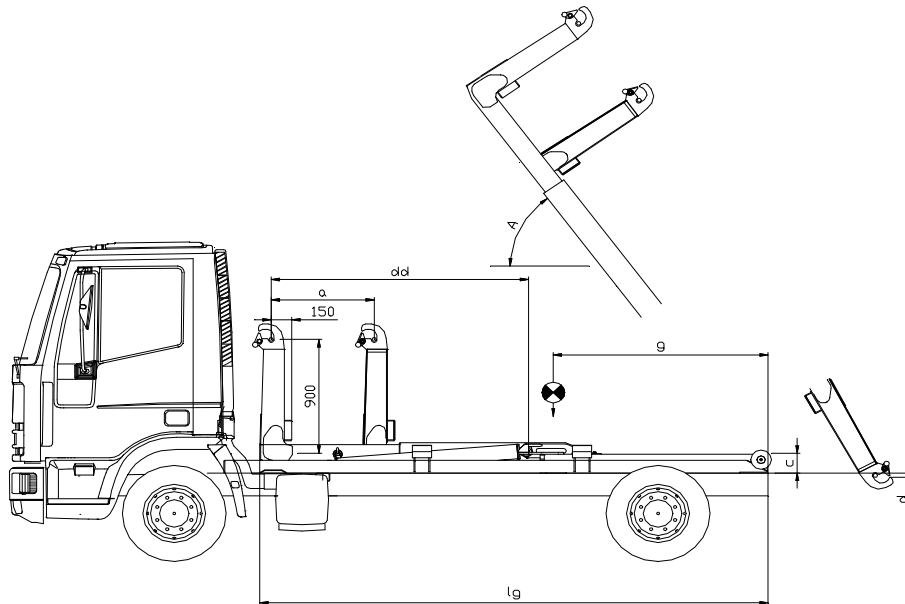


# HL5



Length	Stroke	Angle	Height	Depth	Locking	Bin Length	Point of gravity	Weight
$l_g$	$a$	$A$	$c$	$d$	$l$	$l$	$g$	$kg$

3150	640	59	155	0	1635	3250	1700	710
rear over 330 mm without door								
3410	640	52	155	34	1635	3000-3500	1800	740
rear over 320 mm without door								
3700	750	54	155	-34	1885	3000-4000	1850	750
rear over 530 mm without door								
3950	750	47	155	-34	2135	3000-4250	2000	775
rear over 530 mm without door								

Total exterior bin length is  $l+250$  mm ( $150+100$ ), the total rear over to end hookarm become 895 mm  
 Front side hook arm to center hook is 80 mm  
 Distance rear side until tipping shaft is 100 mm, tipping shaft until roller center is 0 mm  
 Vehicle chassis height is about 800mm.

The constructor has the right to make modifications without prior notice

13/05/2013