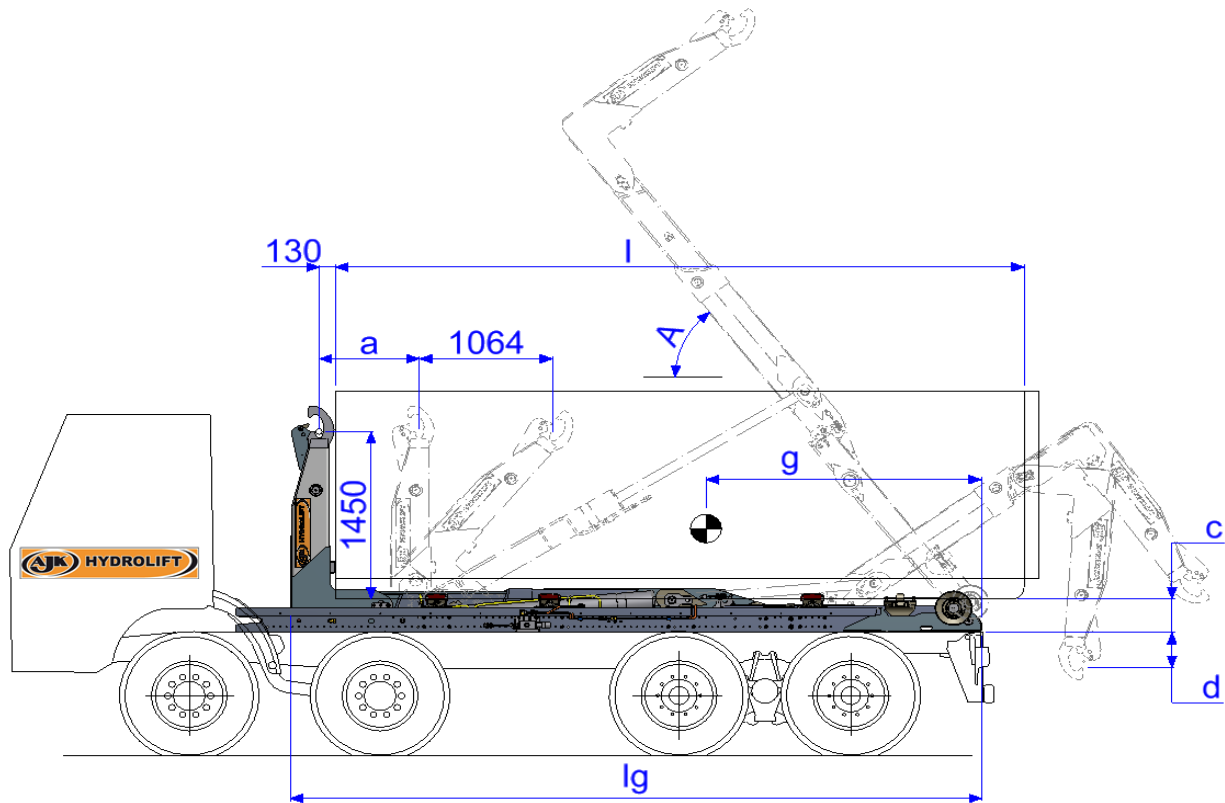


# HLK25<sub>sn</sub>



Length	Stroke	Angle	Height	Depth	Bin Length	Point of gravity	Weight
lg	a	A	c	d	l	g	kg

5520	800	53	290	-270/415	3300-5600-(6100)*	3045	3120
5770	800	48	290	-270/415	3600-5800-(6300)*	3240	3150
5930	900	53	290	-330/290	3700-6000-(6500)*	3350	3240
6100	900	51	290	-330/290	3800-6100-(6600)*	3480	3280
6260	1025	56	290	-300/300	3900-6300-(6800)*	3475	3320
6430	1025	53	290	-300/300	4000-6500-(7000)*	3625	3350

Total exterior bin length is  $l+250$  mm ( $130+120$ ), the total rear over to end hookarm become 1055 mm  
 Front side hook arm to center hook is 232 mm  
 Distance rear side until tipping shaft is 100 mm, tipping shaft until roller center is 120 mm  
 Vehicle chassis height is about 1100mm.

The constructor has the right to make modifications without prior notice

13/02/2013