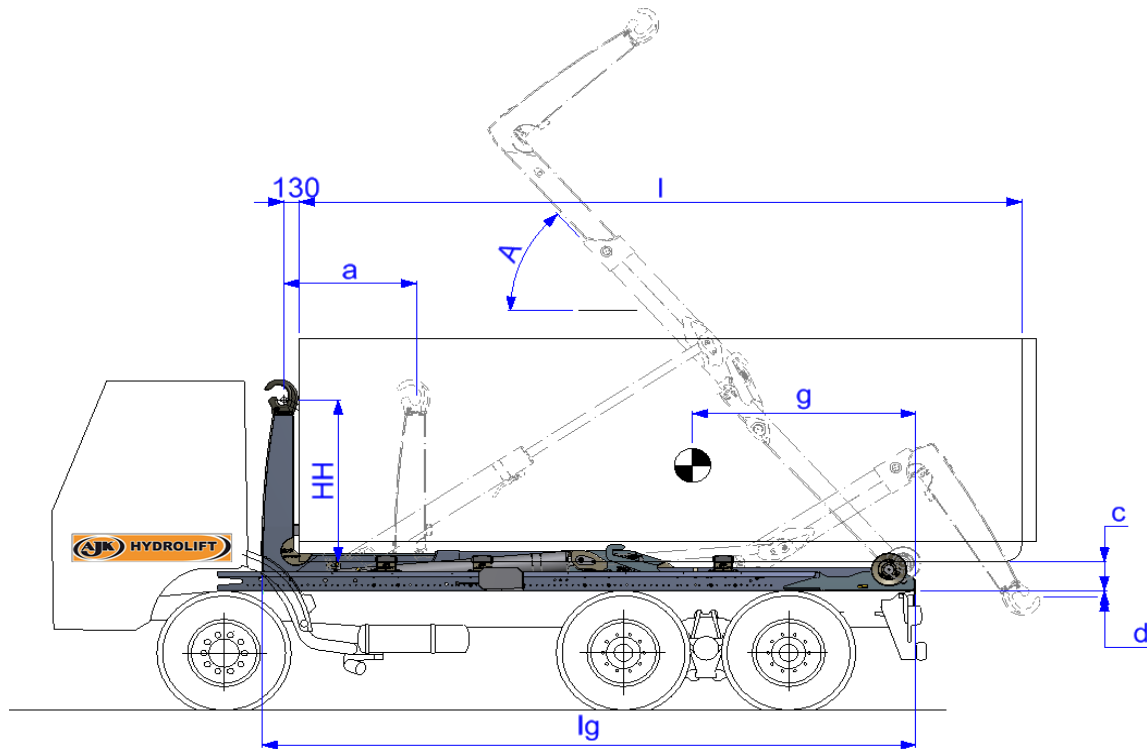




HL20_{sn}



Length	Stroke	Angle	Height	Depth	Bin Length	Point of gravity	Weight
lg	a	A	c	d	l	g	kg

4680	900	52	260	108	3500-5250	2550	2200
4930	1025	50	260	108	3600-5500	2650	2225
5180	1100	51	260	152	3800-5750	2820	2330
5430	1100	49	260	152	4000-6000	2985	2385
5760	1300	54	260	160	4250-6250	3075	2465
5930	1300	51	260	160	4500-6500	3185	2495
6180	1400	55	260	130	4750-6750	3365	2600
6430	1400	52	260	130	5000-7000	3530	2630

Total exterior bin length is $l+250$ mm ($130+120$), the total rear over to end hookarm become 1000 mm
 Front side hook arm to center hook is 180 mm
 Distance rear side until tipping shaft is 100 mm, tipping shaft until roller center is 120 mm
 Vehicle chassis height is about 1100mm.

The constructor has the right to make modifications without prior notice

13/02/2013



Industriegebied Kanaal Noord 1 173, B-3960 Bree Tel : +32-89-46 93 90

e-mail : info@ajkhydrolift.eu