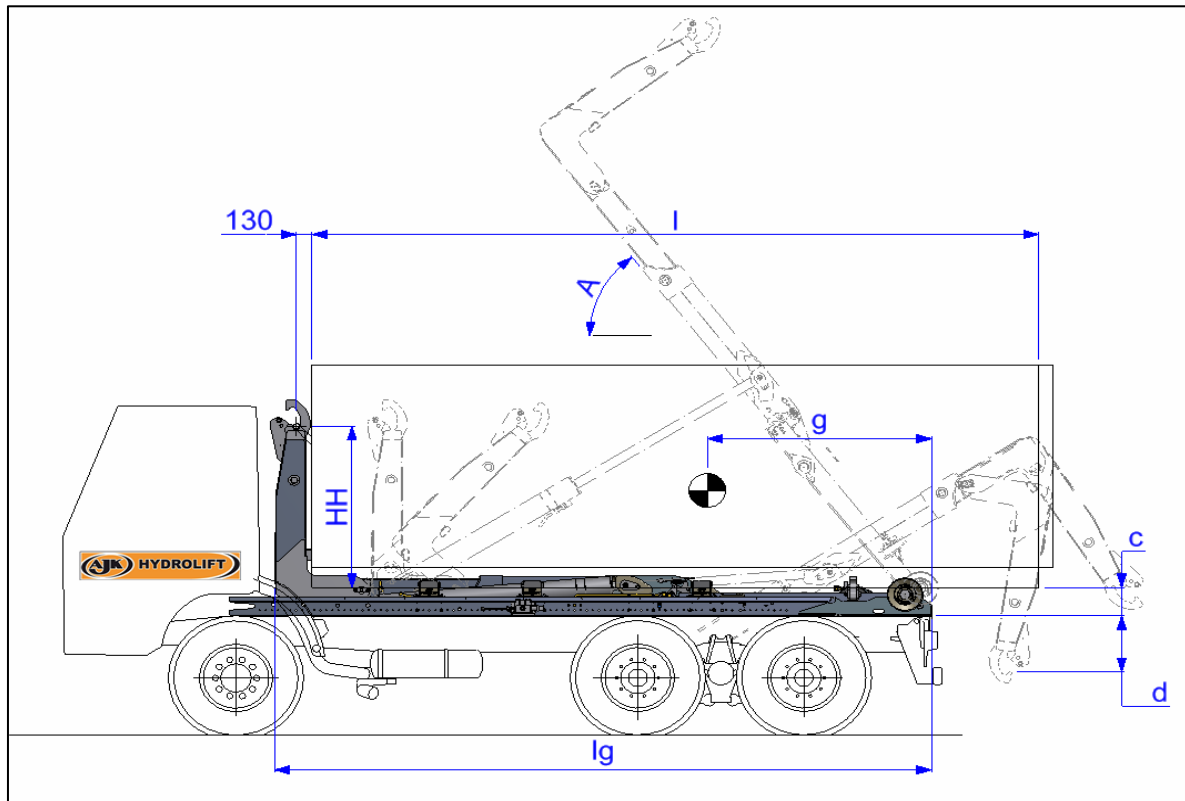


HLK16_{sn}



Length	Stroke	Angle	Height	Depth	Bin Length	Point of gravity	Weight
lg	a	A	c	d	l	g	kg

5430	800	53	260	490	3300-6000	3150	2540
5730	800	48	260	490	3600-6300	3220	2620
5910	900	54	260	380	3800-6500	3250	2650
6080	900	51	260	380	4000-6600	3280	2700
6205	900	55	260	360	4250-6800	3375	2740
6430	1025	55	260	320	4500-7000	3450	2780

Total exterior bin length is $l+250$ mm ($130+120$), the total rear over to end hookarm become 1000 mm

Front side hook arm to center hook is 180 mm

Distance rear side until tipping shaft is 100 mm, tipping shaft until roller center is 120 mm

Vehicle chassis height is about 1100mm.

The constructor has the right to make modifications without prior notice

13/02/2013