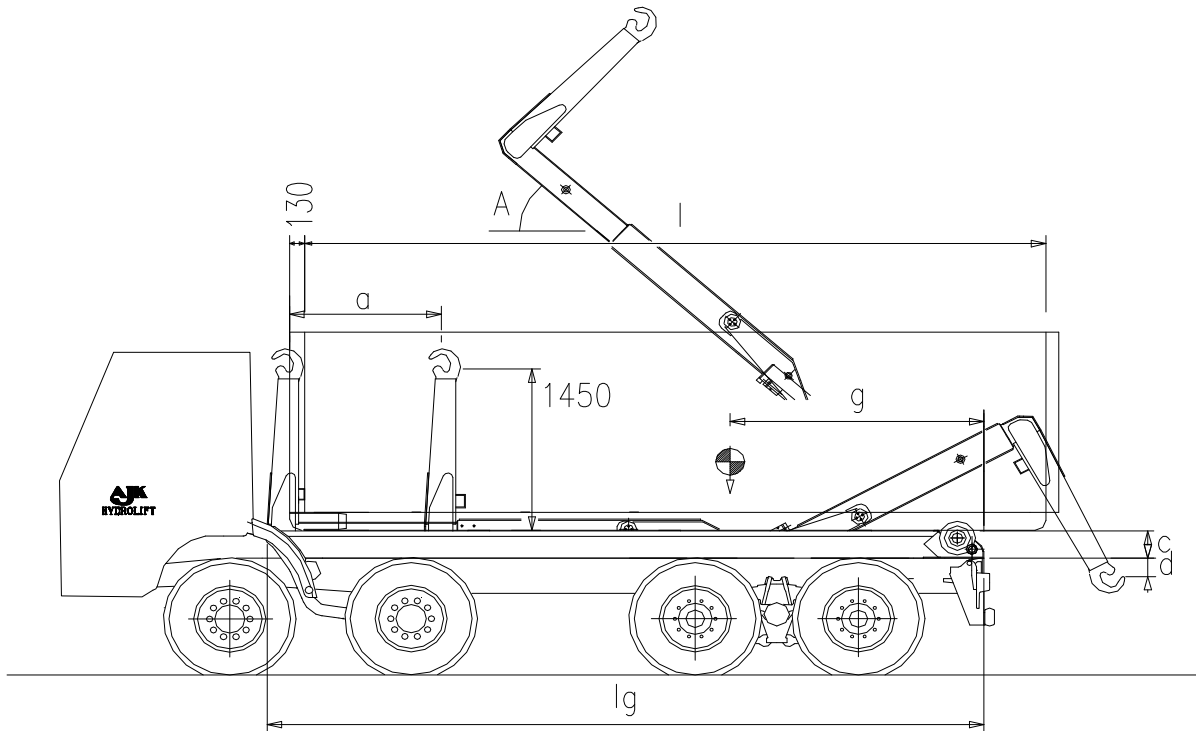




NHS30_{sn}



Length	Stroke	Angle	Height	Depth	Bin Length	Point of gravity	Weight
lg	a	A	c	d	l	g	kg

5500	1100	49	270	-57	4000-5500-(6000)*	3000	2925
5760	1300	52	270	-8	4250-5750-(6250)*	3170	3125
5930	1300	52	270	-8	4500-6000-(6500)*	3350	3225
6180	1400	50	270	-19	4750-6250-(6750)*	3480	3350
6430	1400	50	270	-19	5000-6500-(7000)*	3610	3430

Total exterior bin length is $l+250$ mm ($130+120$), the total rear over to end hookarm become 1010 mm
 Front side hook arm to center hook is 190 mm
 Distance rear side until tipping shaft is 100 mm, tipping shaft until roller center is 120 mm
 Vehicle chassis height is about 1100mm.

The constructor has the right to make modifications without prior notice

13/05/2013



Industriegebied Kanaal Noord 1 173, B-3960 Bree Tel : +32-89-46 93 90

e-mail : info@ajkhydrolift.eu