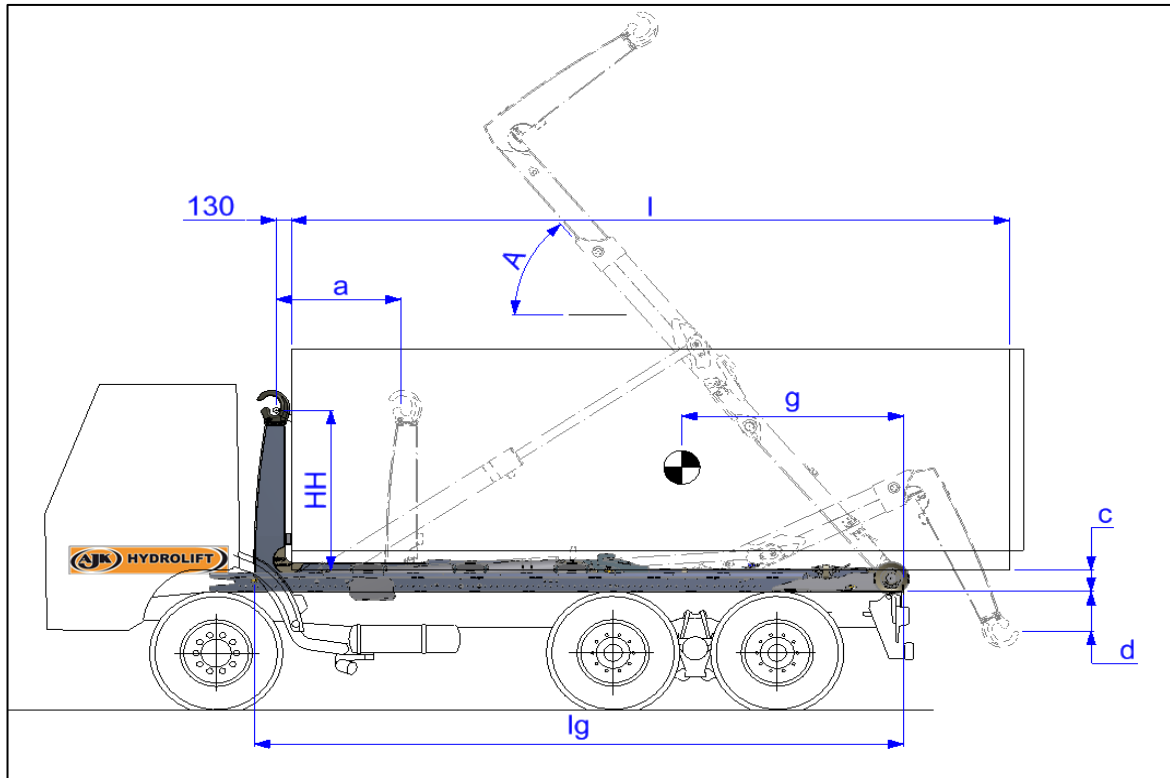




HLF24_{sn}



Length	Stroke	Angle	Height	Depth	Bin Length	Point of gravity	Weight
lg	a	A	c	d	l	g	kg

5430	1100	49	190	90	4000-6000	2985	2545
5760	1300	54	190	0	4250-6250	3075	2660
5930	1300	52	190	0	4500-6500	3185	2670
6180	1400	56	190	0	4750-6750	3310	2780
6430	1400	52	190	0	5000-7000	3450	2795

Total exterior bin length is $l+250$ mm ($130+120$), the total rear over to end hookarm become 1030 mm
 Front side hook arm to center hook is 180 mm
 Distance rear side until tipping shaft (=roller center) is 100 mm
 Vehicle chassis height is about 1100mm.

The constructor has the right to make modifications without prior notice

13/02/2013



Industriegebied Kanaal Noord 1 173, B-3960 Bree Tel : +32-89-46 93 90

e-mail : info@ajkhydrolift.eu